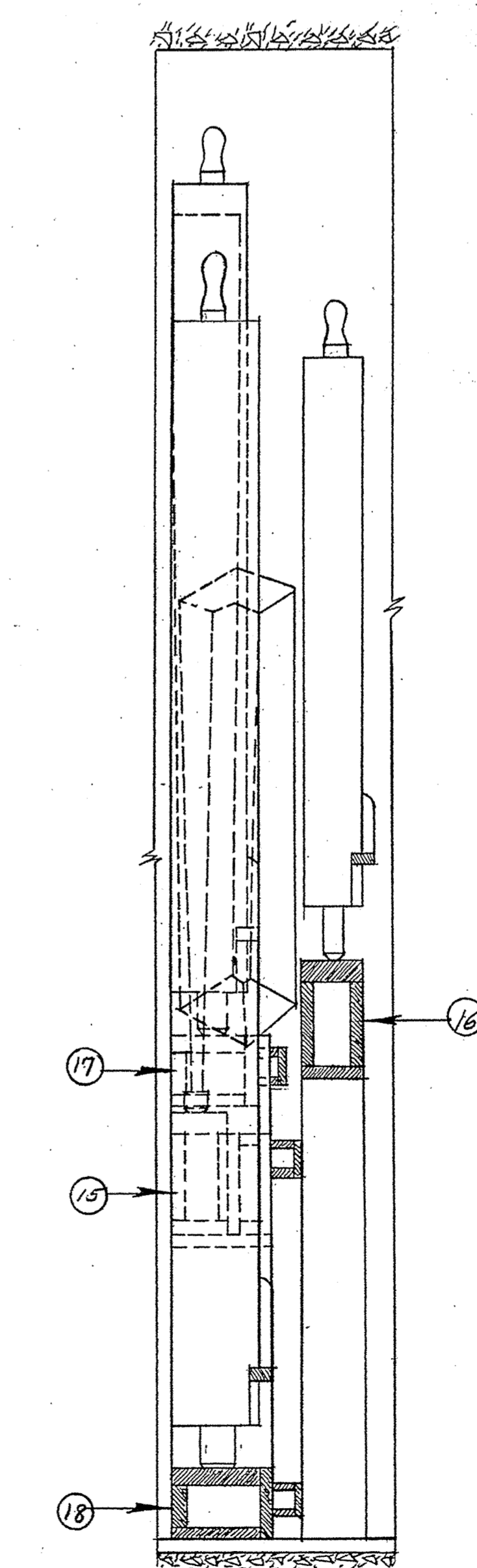
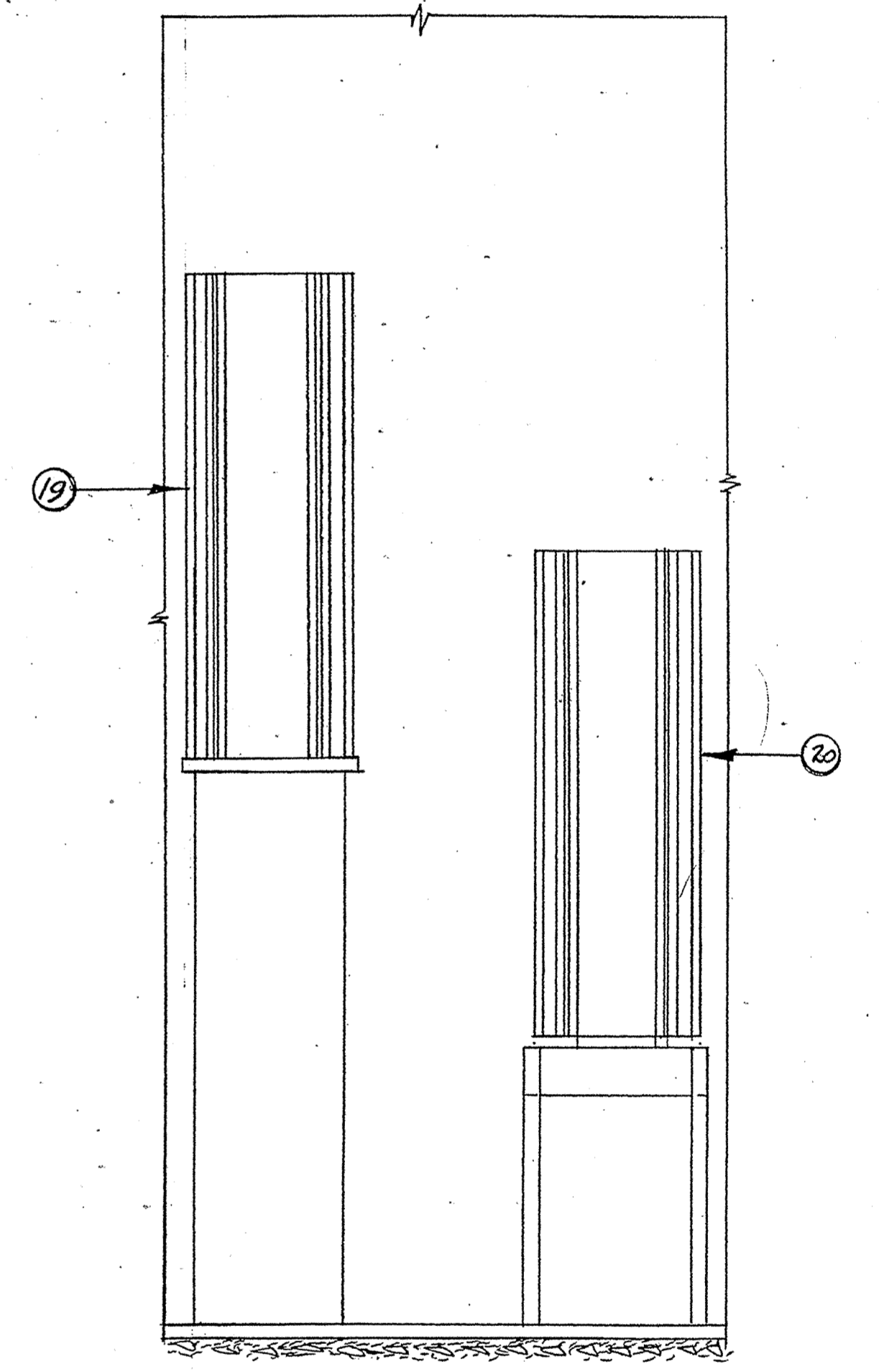


SECTION A-A



SECTION B-B



SECTION C-C

ITEM	DESCRIPTION	PART No.
22	SWELL SHUTTER FRONT	
21	SWELL SHUTTER ACTION	
20	SWITCH BOARD	SCHED. 2016
19	RELAY & SWITCH Bd. ASSEM.	SCHED. 916
18	BOURDON LG.	6 NOTE XA- 21-C
17	BOURDON SM.	6 NOTE XA- 25-C
16	BASS FLUTE	12 NOTE XA- 8-C
15	DIAPHANE	12 NOTE XA- 15-C
14	OPEN DIAPASON	7 NOTE XA- 59-C
13	V.D.O. & CEL.	24 NOTE XA- 5-C
12	SALICIONAL	12 NOTE XA- 75-C
11	CHRYSOLOTT	49 NOTE XA- 30-10
10	TREMULANT #1	XA- 1-R
9	TREMULANT #3	XA- 9-R
8	WIND CONDUCTORS	
7	RESERVOIR 20.30 - 6" WIND	XA- 18-R
6	RESERVOIR 20.30 - 12" WIND	XA- 18-R
5	RESERVOIR 32.35 - 10" WIND	XA- 31-R
4	RESERVOIR WIND TRUNK	
3	MANUAL CHEST	
2	BUILDING FRAME	
1	GROUND FRAME	

THE RUDOLPH WURLITZER MFG. CO.
 North Tonawanda, N. Y.
 MAIN ORGAN - STYLE 200
 FOR
 EL CAPITAN TA - SAN FRANCISCO, CAL.
 3-4-28
 7-20-5