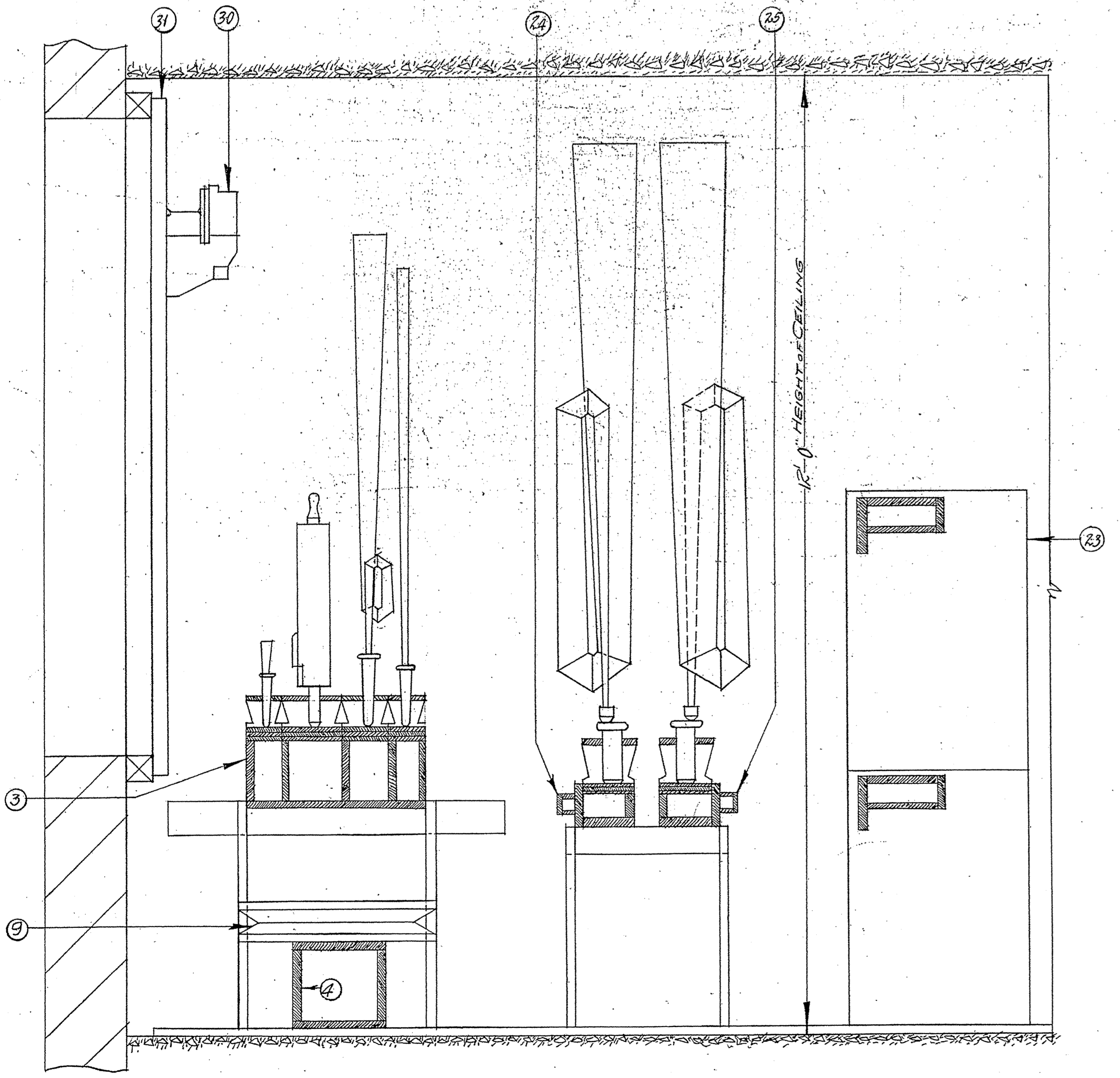
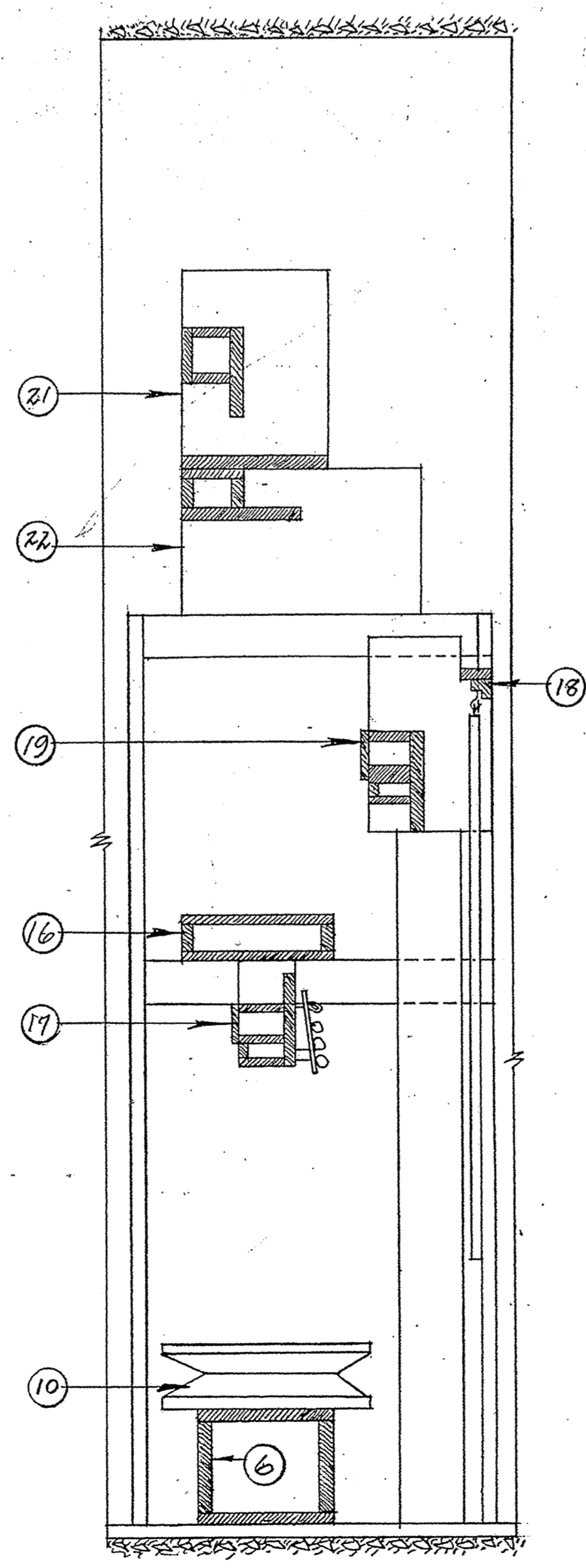


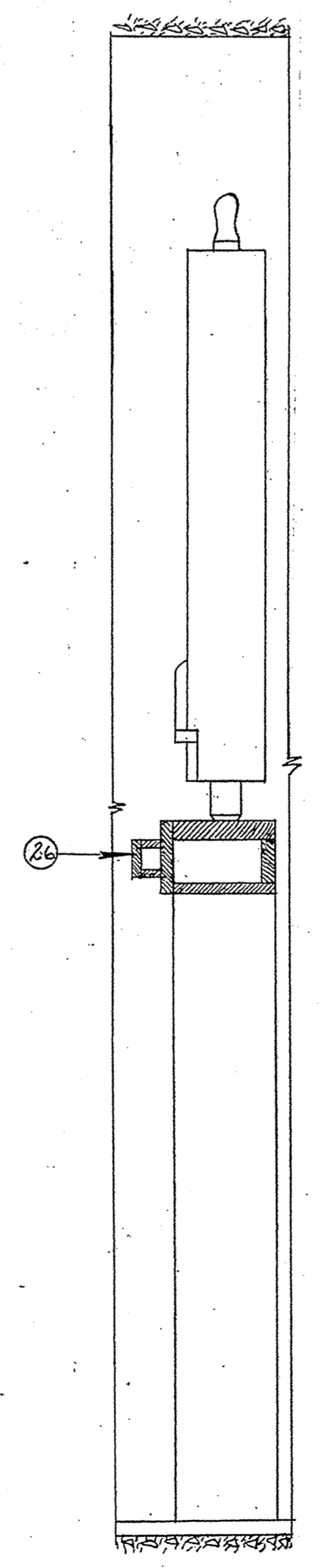
NOTE:
 HEIGHT OF CEILING = 12'-0"
 DISTANCE FLOOR TO OPENING = 3'-6"



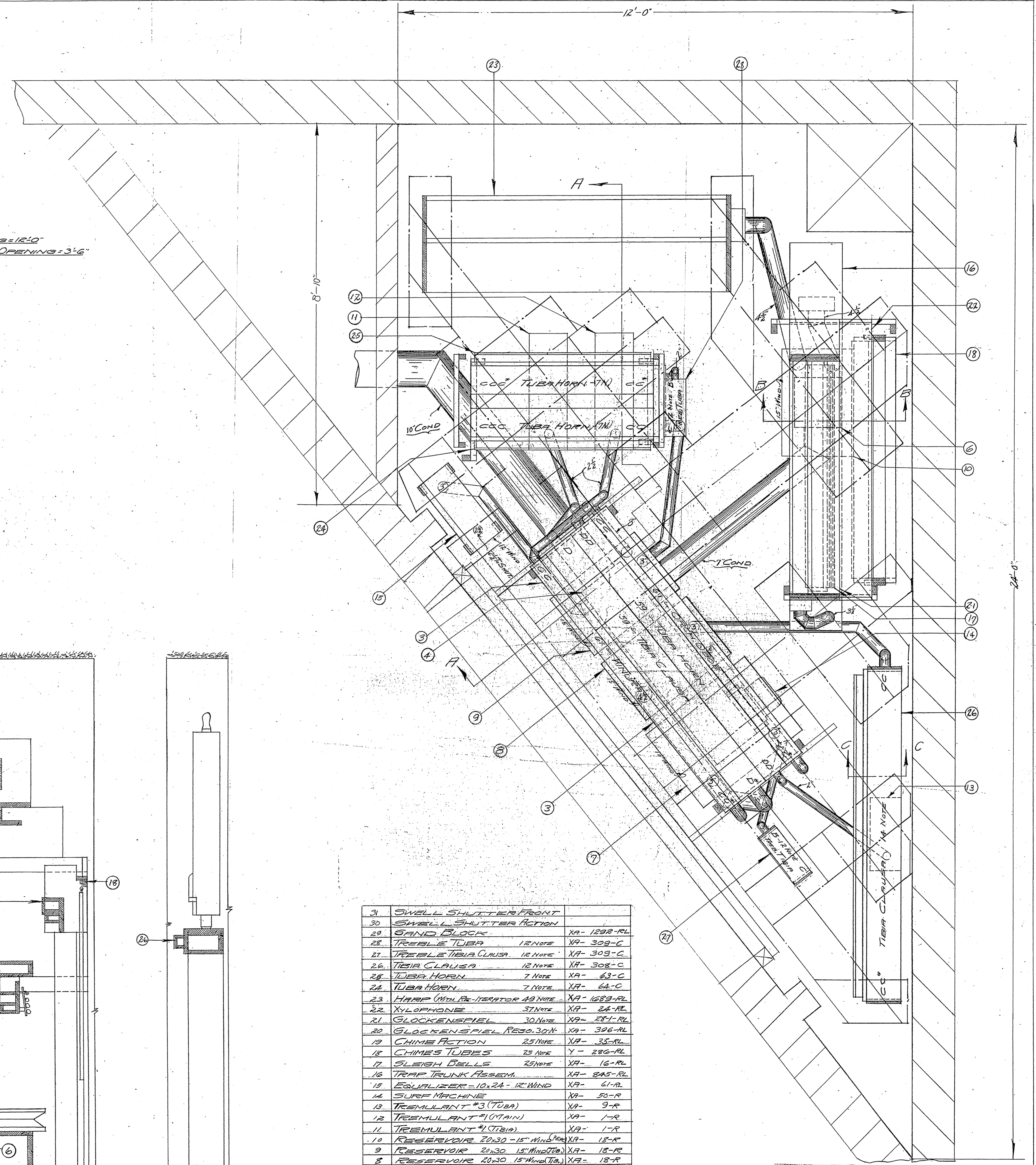
SECTION A-A



SECTION B-B



SECTION C-C



31	SWELL SHUTTER FRONT	
30	SWELL SHUTTER ACTION	
29	SAND BLOCK	XA- 1292-RL
28	TREBLE TUBA	12 NOTE XA- 309-C
27	TREBLE TUBA CLUSA	12 NOTE XA- 309-C
26	TUBA CLUSA	12 NOTE XA- 308-C
25	TUBA HORN	7 NOTE XA- 63-C
24	TUBA HORN	7 NOTE XA- 62-C
23	HARP (WITH RE-ITERATOR AS NOTE)	XA- 1689-RL
22	XYLOPHONE	31 NOTE XA- 24-RL
21	GLOCKENSPIEL	30 NOTE XA- 241-RL
20	GLOCKENSPIEL RESO. 30 IN	XA- 396-RL
19	CHIMES ACTION	25 NOTE XA- 35-RL
18	CHIMES TUBES	25 NOTE Y- 286-RL
17	SLEIGH BELLS	31 NOTE XA- 16-RL
16	TRAMP TRUNK ASSEM.	XA- 845-RL
15	EQUALIZER - 10, 24 - 12 WIND	XA- 61-RL
14	SURE MACHINE	XA- 50-R
13	TREMULANT #3 (TUBA)	XA- 9-R
12	TREMULANT #1 (TAIN)	XA- 1-R
11	TREMULANT #4 (TAIN)	XA- 1-R
10	RESERVOIR 20.30 - 15" WIND	XA- 18-R
9	RESERVOIR 20.30 - 15" WIND	XA- 18-R
8	RESERVOIR 20.30 - 15" WIND	XA- 18-R
7	RESERVOIR 26.35 - 10 WIND	XA- 27-R
6	RESERVOIR WIND BOX	
5	WIND CONDUCTORS	
4	RESERVOIR WIND TRUNK	
3	MANUAL CHEST	
2	BUILDING FRAME	
1	GROUND FRAME	
ITEM	DESCRIPTION	PART No.

THE RUDOLPH WURLITZER MFG. CO.
 North Tonawanda, N. Y.
 SOLO ORGAN, STYLE 230
 FOR
 EL CAPITAN TA. SAN FRANCISCO
 7-20-6